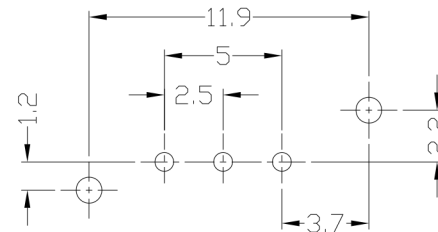
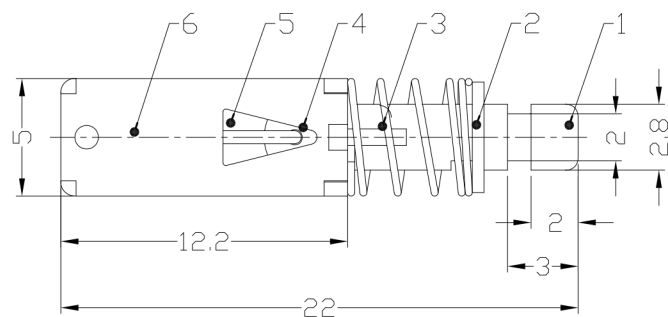




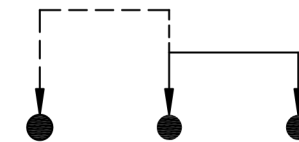
**RoHS Compliant**  
2002/95/EC

REV.	ECN.	NO.	APPD.

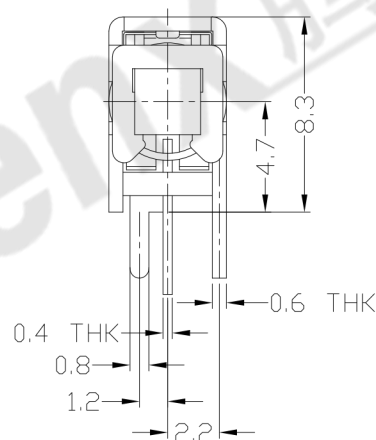
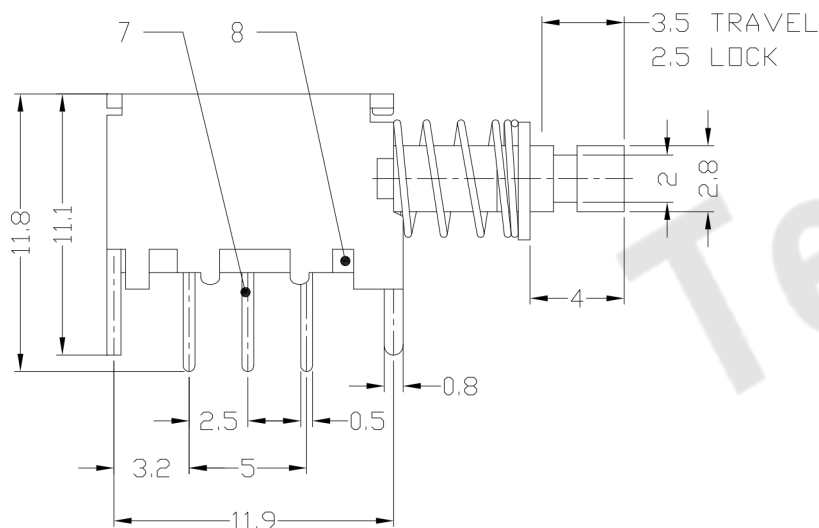
### DIMENSIONS



P.C.B LAYOUT



CIRCUIT DIAGRAM



### ELECTRO-MECHANICAL CHARACTERISTICS

Refer to additional specifications

RATING	DC50V 0.3A	
CIRCUIT	1P2T	
CONTACT RESISTANCE	30mΩ MAX.	
TIMING	NON-SHORTING	
OPERATING MODE	SELF-LOCK	AP-12E05L
	NON-LOCK	AP-12E15N
STROKE	FULL 3.5mm	LOCK 2.5mm
OPERATING FORCE	250±100gf	
OPERATING LIFE(cycles)	10,000	

8	TERMINAL	BRASS STRIP	3	Ag PLATED OVER Ni PLATED
7	BASE	PHENOLIC RESIN	1	NATURAL
6	FRAME	STEEL STRIP	1	Ni PLATED
5	LOCK NEEDLE	PBS WIRE	1	NATURAL
4	SPRING PLATE	PBS STRIP	1	NATURAL
3	SPRING	STAINLESS STEEL	1	TEMPER
2	BLOCK	STEEL STRIP	1	Ni PLATED
1	KNOB	PDM	1	BLUE
NO.	PARTS	MATERIAL	Q'TY	FINISHING

WITHIN 1.5mm: ±0.1mm	UNITS mm
OVER 1.5mm: ±0.2mm	MAT'L SEE NOTE
	FINISH SEE NOTE
	Q'TY

THESE DRAWINGS AND SPECIFICATIONS ARE THE PROPERTY OF ACCURATE INNOVATECH INC AND SHALL NOT BE REPRODUCED, COPIED OR USED IN ANY MANNER WITHOUT THE PRIOR WRITTEN CONSENT OF ACCURATE INNOVATECH INC.

### 东莞市腾兴电子有限公司

TITLE: PUSH SWITCH / HORIZONTAL	PART NO.: AP-12E05L & AP-12E15N
DR: Ricky 2014/05/06	DWG NO.: ADJ-12E0515
CHKD: Ricky 2014/05/06	SCALE SHEET REV. CUSTOMER DRAWING
APPD:	3:1 1/1 A