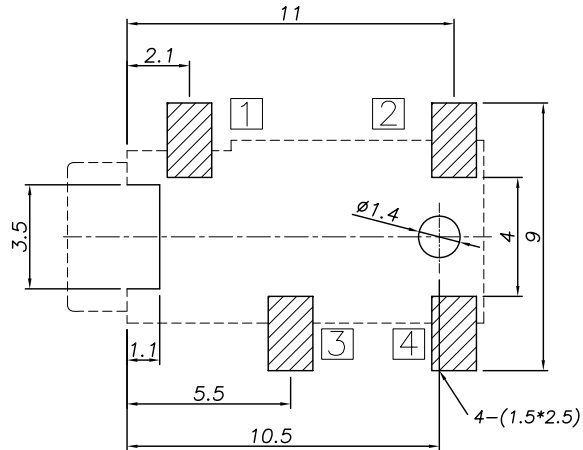


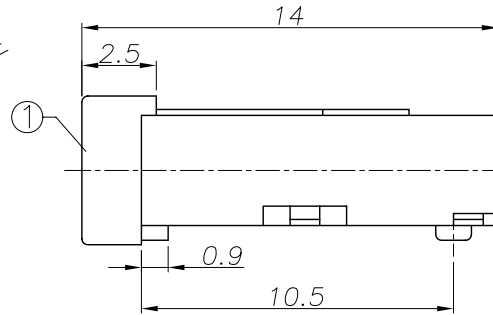
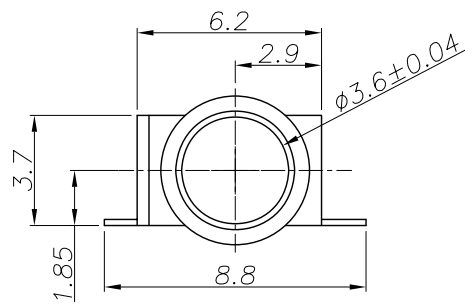
P. C. B Layout  
(Copper-sided view)



Ordering information:

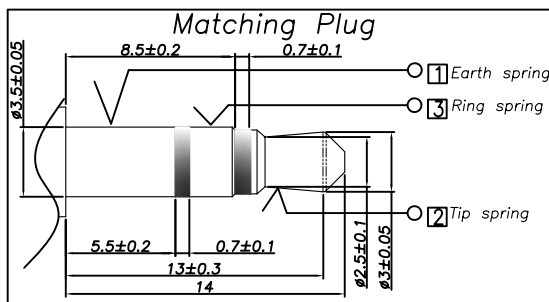
TPJ-3A900-□ 9T 0A □ 00 1  
(1) (2) (3) (4) (5) (6) (7)

- (1): Series No
- (2): Schematic option: B D
- (3): Material of housing:  
9T=PA9T
- (4): Housing color:  
0A=Black
- (5): Terminal plating  
S=Silver (Ag) (Standard)  
G=Gold (Au)
- (6): Special option  
00=No special option
- (7): Packing mode:  
1=Reel packing

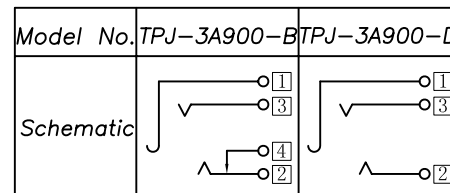


SPECIFICATION

1. Rating : DC 30V 0.5A;
2. Contact resistance:  $\leq 30m\Omega$ ;
3. Insulation resistance:  $\geq 100M\Omega$  (DC250V);
4. Withstand voltage: 500VAC ;
5. Insertion and extraction force: 3-30N;
6. life test: 5,000 cycles.



ITEM NO.	DESCRIPTION	QTY	MATERIAL	PLATING
4	Shunt terminal 4	1	Brass	TPJ-3A900-04
3	Tip Spring 2	1	Beryllium bronze	TPJ-3A900-02
2	Ring Spring 1 3	2	Phosphor bronze	TPJ-3A900-01
1	Housing	1	PA9T	TPJ-3A900-S1 Black
				PLATING



□: TERMINAL NO.

TENGXING ELECTRONICS CO., LTD

TOLERANCES UNLESS OTHERWISE SPECIFIED LINEAR: $\pm 0.30$ ANGULAR: $\pm 3^\circ$		SIGNATURES	DATE	TITLE
REVISIONS	SCALE	DRAWN	DATE	TITLE
A	5/1	CHK'D	DATE	NO.
		APPV'D	DATE	TPJ-3A900

SYM	DISCRPTION	DATE	APPROVED
△			
△			
△			
△			