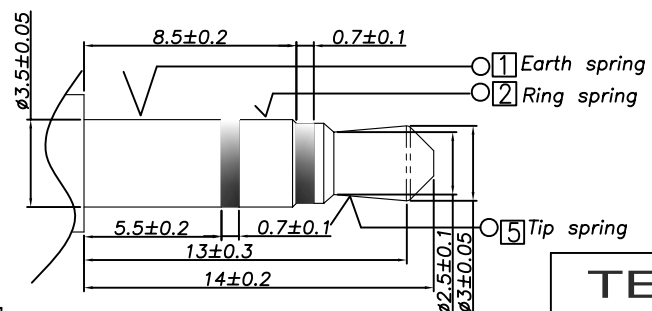


Specification:
 1. Rating : DC 30V 0.5A;
 2. Contact resistance: $\leq 50m\Omega$;
 After test: $\leq 100m\Omega$
 3. Insulation resistance: $\geq 100M\Omega$ (500VDC);
 After test: $\geq 50M\Omega$
 4. Withstand voltage: 500VAC ;
 5. Insertion and extraction force: 3N~30N;
 6. life test: 5000cycles min;
 7. Operation temperature range: -20℃~70℃
 8. Preservative temperature range: -40℃~85℃
 9. Sign"▲" is importance dimension

| | | | |
|-----|------------|------|----------|
| △ | | | |
| △ | | | |
| △ | | | |
| △ | | | |
| △ | | | |
| SYM | DISCIPTION | DATE | APPROVED |
| 1 | | | |
| 2 | | | |
| 3 | | | |

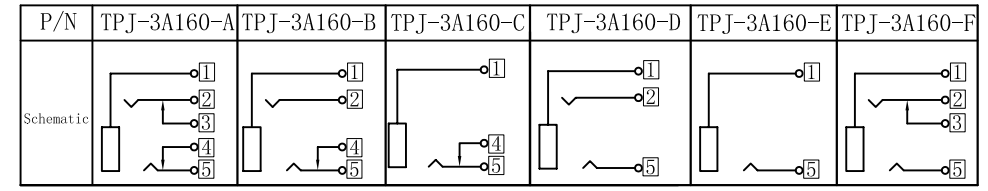


Ordering information:
 TPJ-3A160 - □ PB □ □ □ □ □ □
 (1) (2) (3) (4) (5) (6) (7)

(1):Series No.
 (2):Schematic option: A B C D E F
 (3):Material of housing: PB=PBT (Standard)
 (4):Housing color:
 Zero 0A=Black 5F=Green (0045)
 9A=White (0009)
 (5):Terminal plating
 T=Tin (Sn) (Standard)
 S=Silver (Ag)
 G=Gold (Au)
 (6):Special option:Bushing plating and length

| NO | Remark | H | Bushing plating |
|----|--------|-----|-----------------|
| 00 | | 1.3 | Nickel |
| 10 | | 1.0 | Nickel |
| 0G | | 1.3 | Gold |
| 1G | | 1.0 | Gold |

(7):Packing mode:
 3=Plastic box packing
 4=Bag packing



□: TERMINAL NO.

| 7 | Bushing | 1 | Copper alloy | TPJ-3A160-88 | Nickel(Ni) plating |
|-----|----------------|-----|-----------------------|--------------|--------------------|
| 6 | Tip spring | 1 | Stainless steel 0.20t | TPJ-3A160-05 | Tin(Sn) plating |
| 5 | Shunt terminal | 1 | Brass 0.40t | TPJ-3A160-04 | Tin(Sn) plating |
| 4 | Shunt terminal | 1 | Brass 0.40t | TPJ-3A160-03 | Tin(Sn) plating |
| 3 | Ring spring | 1 | Stainless steel 0.20t | TPJ-3A160-02 | Tin(Sn) plating |
| 2 | Earth terminal | 1 | Brass 0.20t | TPJ-3A160-01 | Tin(Sn) plating |
| 1 | Housing | 1 | PBT | TPJ-3A160-S1 | |
| NO. | DESCRIPTION | QTY | MATERIAL | PART NO. | REMARK |

TENGXING ELECTRONICS CO.,LTD

| | | | | |
|--|-------|------------|------------|---------------|
| TOLERANCES UNLESS OTHERWISE SPECIFIED LINEAR:±0.30 ANGULAR: ±3° | | SIGNATURES | DATE | TITLE |
| REVISIONS | SCALE | APPV'D | DATE | NO. |
| A | 5/1 | Rex | 2008.11.28 | TPJ-3A160 |
| | | Amy | 2008.11.28 | EARPHONE JACK |
| | | Alex | 2008.11.28 | |