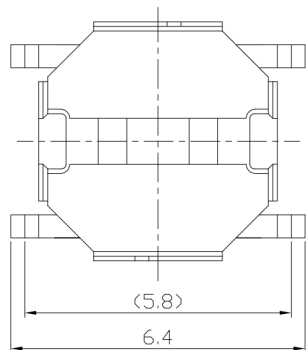
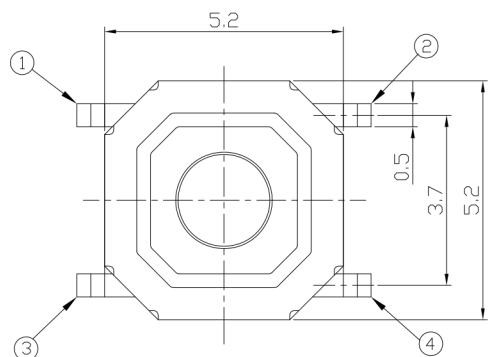
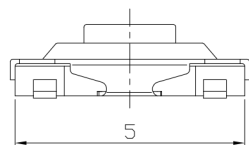
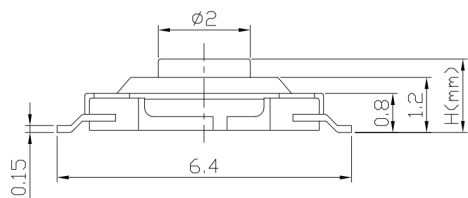




RoHS Compliant
2002/95/EC

REV.	ECN.	NO.	APPD.

DIMENSIONS



PRODUCT IMAGE

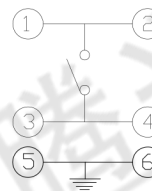


MODEL CODE

AT-1187P-

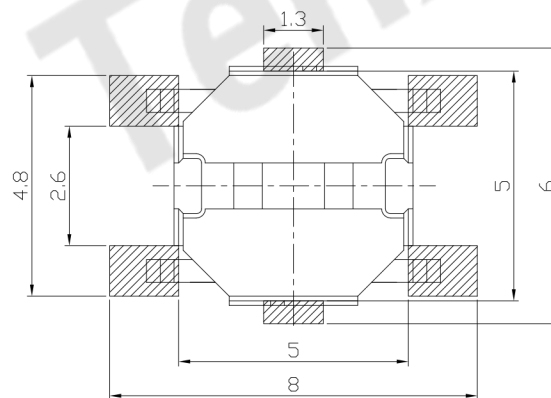
	H	Knob	Color	Material
-	1.5	GD	Gold	Brass
A	4.3	SR	Silver	Brass
B	1.7	WT	White	PolyAmide
C	1.6	GY	Grey	PolyAmide
D	2.3	BK	Black	PolyAmide
E	3.0			

CIRCUIT DIAGRAM



P.C.B MOUNTING PATTERN DIMENSION

The following soldering patterns are recommended for reflow soldering



ELECTRO-MECHANICAL CHARACTERISTICS

Refer to additional specifications

Rating	DC 12V 50mA
Contact Resistance	100mΩ Max.
Travel	0.2 ± 0.05mm
Operating Force	160±30gf 250±50gf
Operating Life(cycles)	100,000

.X ±0.2	X. ±2'	UNITS mm
		MAT'L
		SEE NOTE
		FINISH
		SEE NOTE
		Q'TY

THESE DRAWINGS AND SPECIFICATIONS ARE THE PROPERTY OF ACCURATE INNO TECH INC AND SHALL NOT BE REPRODUCED, COPIED OR USED IN ANY MANNER WITHOUT THE PRIOR WRITTEN CONSENT OF ACCURATE INNO TECH INC.

东莞市腾兴电子有限公司

TITLE: TACT SWITCH	PART NO.: AT-1187P SERIES
DR: <i>Ricky</i> 2014/03/31	DWG NO.: ASI-1187P
CHKD: <i>Ricky</i> 2014/03/31	SCALE SHEET REV. CUSTOMER DRAWING
APPD:	1:1 1/1 A