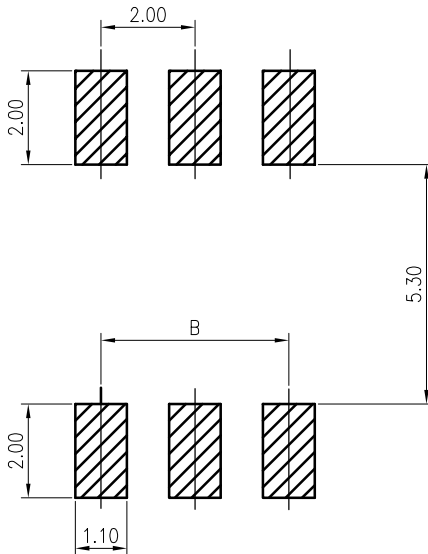
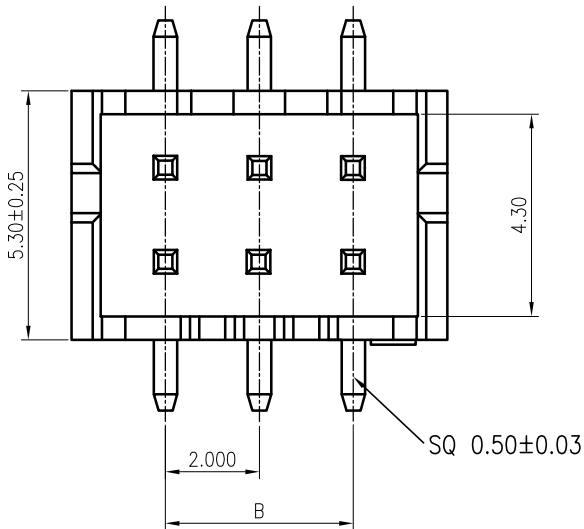
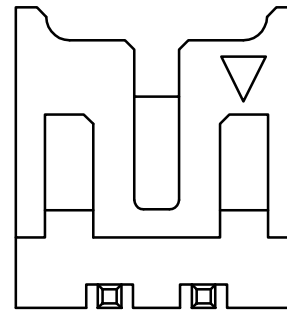


RoHS
COMPLIANT



Recommended P.C.B. Layout
Total tolerance: ±0.05mm



2P视图

SPECIFICATIONS

1. Current rating: 3A AC, DC
2. Voltage rating: 250V AC, DC
3. Temperature range: -40°C ~ +105°C
4. Insulation resistance: 1000MΩ Min.
5. Withstanding voltage: 800V AC/ minute.
6. Contact resistance: 20mΩ Max.

Material:

Insulator: PA9T UL 94V-0
Contact: Brass/Tin Plated over nickel
Mate with KR2005 series housing

Ordering Code:

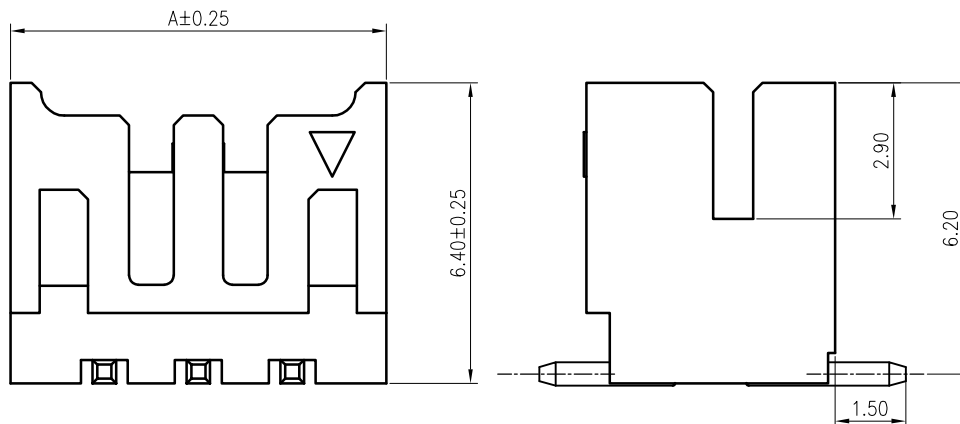
C2005VS *** ** T0101RA

No. of Circuits

202:2x2, 215:2x15

Insulator Material

11:PA9T Natural



Circuits	Dimensions		Circuits	Dimensions	
	A	B		A	B
2x2	6.00	2.00	2x12	26.00	22.00
2x3	8.00	4.00	2x13	28.00	24.00
2x4	10.00	6.00	2x14	30.00	26.00
2x5	12.00	8.00	2x15	32.00	28.00
2x6	14.00	10.00	2x16	34.00	30.00
2x7	16.00	12.00	2x17	36.00	32.00
2x8	18.00	14.00	2x18	38.00	34.00
2x9	20.00	16.00	2x19	40.00	36.00
2x10	22.00	18.00	2x20	42.00	38.00
2x11	24.00	20.00			

△4				TOLERANCE	TITLE:	DRAWN: Arvin 2020.01.03	东莞市腾兴电子有限公司
△3				X. X ±0.30	PHD2.0 SMT 180°	CHECKED:	
△2	更改料号及图框格式	Arvin	2020.01.13	X. XX ±0.20	Wafer	APPROVED:	
MARK	REVISION DESCRIPTION	SIGNATURE	DATE	X. XXX ±0.10	UNIT: mm SCALE: N/A	SHEET: 1/1 PROJECTION	
				Angle ±2°			VER.: A2 DRAWING NO.: 2005WVS201-A-S