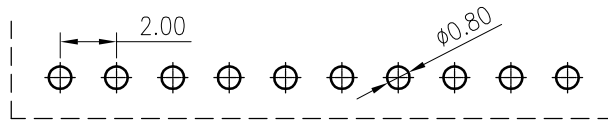
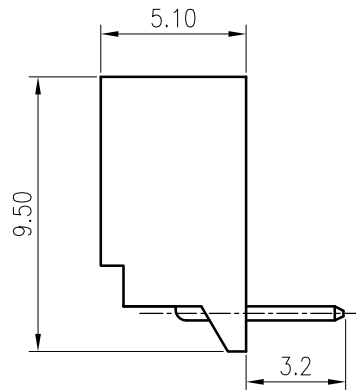
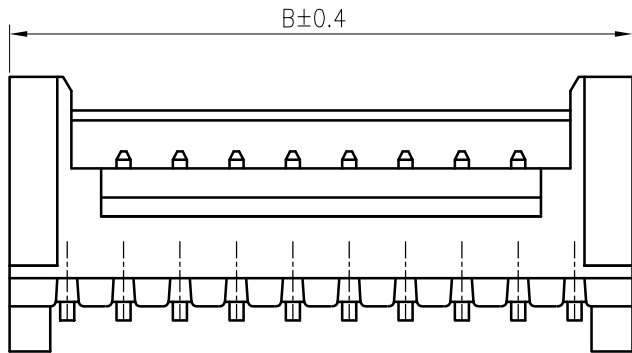
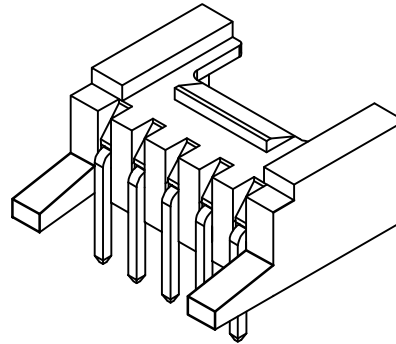
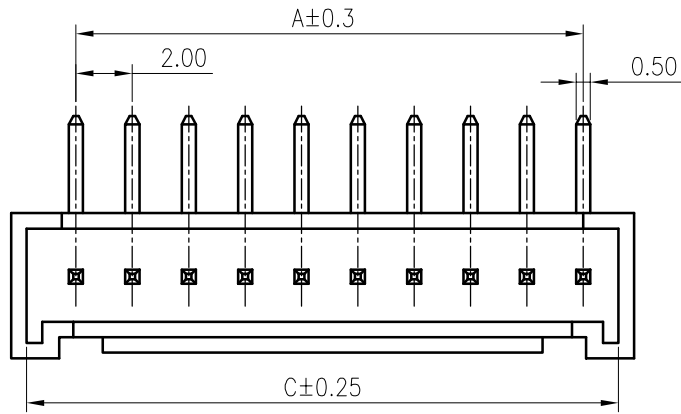


RoHS
COMPLIANT



Recommended P.C.B. Layout
Total tolerance: ±0.05mm

SPECIFICATIONS

1. Current rating: 2A AC, DC
2. Voltage rating: 250V AC, DC
3. Temperature range: -40°C ~ +105°C
4. Insulation resistance: 1000MΩ Min.
5. Withstanding voltage: 1000V AC/ minute.
6. Contact resistance: 20mΩ Max.

Material:

Material:

Insulator: PA66 UL 94V-2

Contact: Brass

Plating: Tin plated over Nickel

Mate with KR2004 Series Housing

Circuits	Dimensions		
	A	B	C
2	2.00	6.00	4.90
3	4.00	8.00	6.90
4	6.00	10.00	8.90
5	8.00	12.00	10.90
6	10.00	14.00	12.90
7	12.00	16.00	14.90
8	14.00	18.00	16.90
9	16.00	20.00	18.90
10	18.00	22.00	20.90
11	20.00	24.00	22.90
12	22.00	26.00	24.90
13	24.00	28.00	26.90
14	26.00	30.00	28.90
15	28.00	32.00	30.90
16	30.00	34.00	32.90

Ordering Code:

C2004RD *** 03 T01 01PA

No. of Circuits

102:2,116:16

Insulator Material

03:PA66 White V2

Plating

T01: Tin plated

△4			
△3			
△2	更改料号及图框格式	Arvin	2020.04.24
MARK	REVISION DESCRIPTION	SIGNATURE	DATE

TOLERANCE
X.X ±0.30
X.XX ±0.20
X.XXX ±0.10
Angle ±2°

TITLE:
PH2.0带扣 DIP 90°
Wafer

DRAWN: Arvin 2020.04.24

CHECKED:

APPROVED:

UNIT: mm

SCALE: N/A

SHEET: 1/1

PROJECTION

东莞市腾兴电子有限公司

PART NO.: C2004RD***03T0101PA

REV.: A2

DRAWING NO.: 2004WRD101-A-S