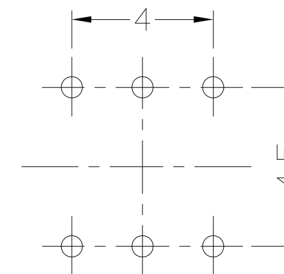
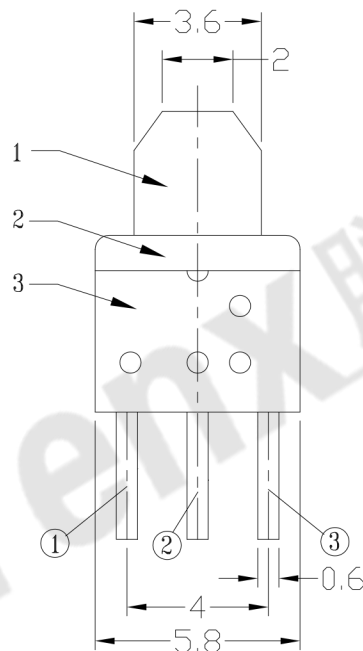
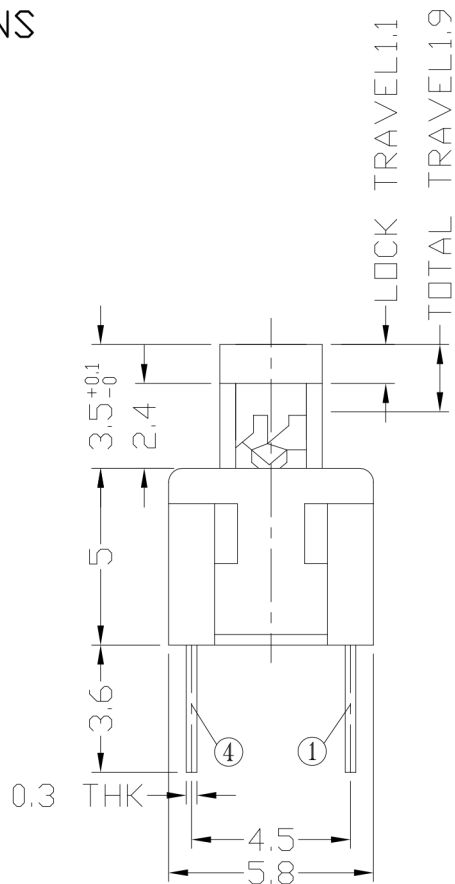




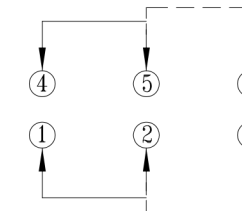
RoHS  
Compliant  
2002/95/EC

REV.	ECN. NO.	APPD.

# DIMENSIONS



P.C.B LAYOUT



CIRCUIT DIAGRAM

## ELECTRO-MECHANICAL CHARACTERISTICS

Refer to additional specifications

RATING	DC12V 0.1A	
CIRCUIT	2P2T	
CONTACT RESISTANCE	70mΩ MAX.	
TIMING	NON-SHORTING	
OPERATING MODE	SELF-LOCK	AP-2216GL
	NON-LOCK	AP-2216GN
STROKE	FULL 1.9mm	LOCK 1.1mm
OPERATING FORCE	150±50gf	250±100gf
OPERATING LIFE(cycles)	10,000	

6					WITHIN 1.5mm: ±0.1mm	UNITS mm	<b>东莞市腾兴电子有限公司</b>
5	CAM STICK	SUS	1	NATURAL	OVER 1.5mm: ±0.2mm	MAT'L	
4	SPRING	SUS	1	NATURAL		SEE NOTE	
3	CASE	NYLON+F.G/BRASS STRIP	1	GREY/Ag PLATED OVER Ni PLATED		FINISH	
2	COVER	POM	1	BLACK		SEE NOTE	
1	KNOB	POM/PBS C5210R-EH	1	WHITE/Ag CLAD		Q'TY	
NO	PARTS	MATERIAL	QTY	FINISHING			

THESE DRAWINGS AND SPECIFICATIONS ARE THE PROPERTY OF ACCURATE INNOVATECH INC AND SHALL NOT BE REPRODUCED, COPIED OR USED IN ANY MANNER WITHOUT THE PRIOR WRITTEN CONSENT OF ACCURATE INNOVATECH INC.



TITLE: PUSH SWITCH / VERTICAL	PART NO.: AP-2216GL & AP-2216GN
DR: <i>Ricky</i> 2015/03/25	DWG NO.: ADJ-2216G
CHKD: <i>Ricky</i> 2015/03/25	SCALE SHEET REV. CUSTOMER DRAWING
APPD:	5:1 1/1 A