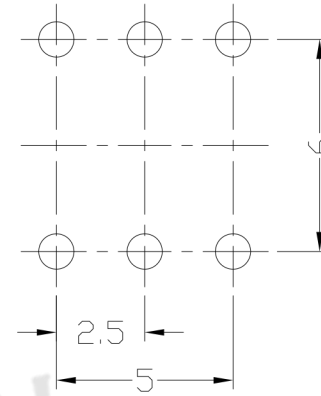
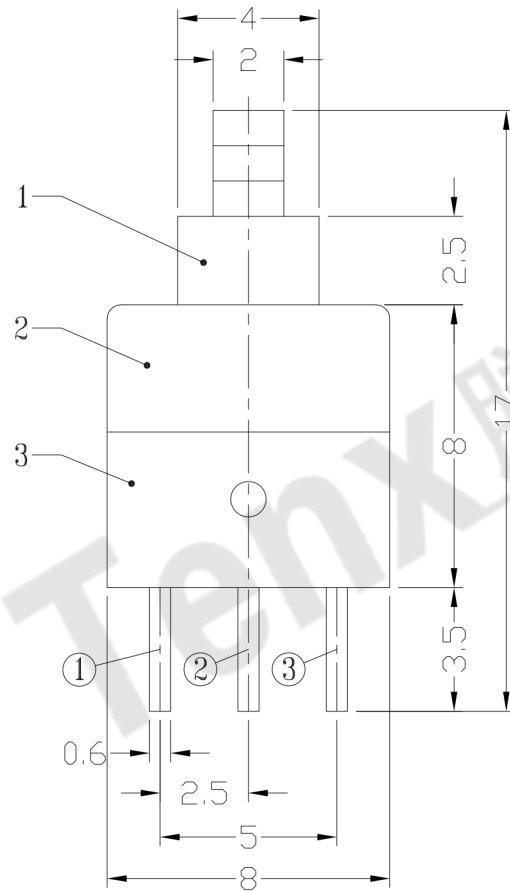
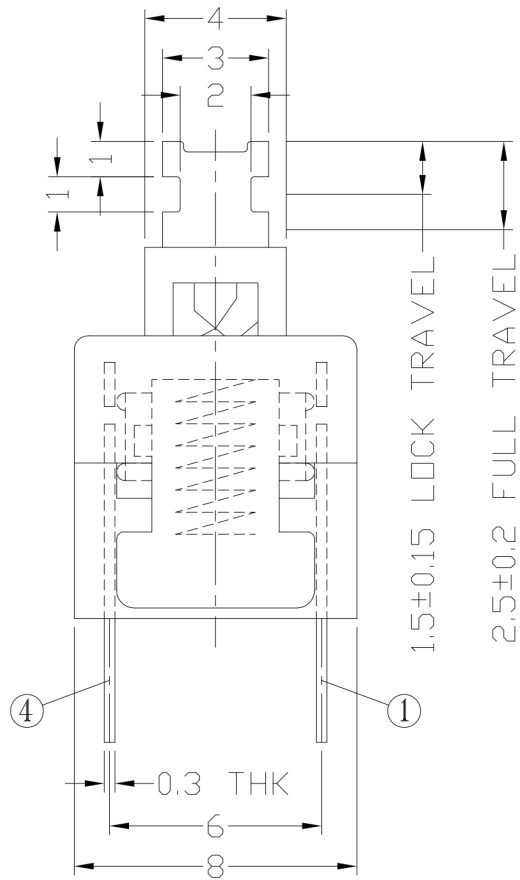




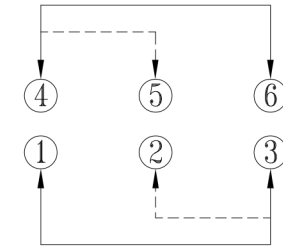
RoHS
Compliant
2002/95/EC

REV.	ECN.	NO.	APPD.

DIMENSIONS



P.C.B LAYOUT
BOTTOM VIEW



CIRCUIT DIAGRAM

ELECTRO-MECHANICAL CHARACTERISTICS

Refer to additional specifications

RATING	DC30V 0.1A	
CIRCUIT	2P2T	
CONTACT RESISTANCE	50mΩ MAX.	
TIMING	NON-SHORTING	
OPERATING MODE	SELF-LOCK	AP-2215L
	NON-LOCK	AP-2215N
STROKE	FULL 2.5mm	LOCK 1.5mm
OPERATING FORCE	200±100gf	
OPERATING LIFE(cycles)	10,000	

6	SPRING	SEE SPRING CHART	1	NATURAL	WITHIN 1.5mm: ±0.1mm
5	CONTACT	PBS C5210R-EH	2	Ag CLAD	OVER 1.5mm: ±0.2mm
4	CAM STICK	SUS WIRE	1	WASHING	
3	CASE	PBT 3310/BRASS STRIP	1	BLACK/Ag PLATED OVER Ni PLATED	
2	COVER	PDM	1	WHITE	
1	KNOB	PDM	1	BLUE	
NO	PARTS	MATERIAL	QTY	FINISHING	

THESE DRAWINGS AND SPECIFICATIONS ARE THE PROPERTY OF ACCURATE INNOVATECH INC AND SHALL NOT BE REPRODUCED, COPIED OR USED IN ANY MANNER WITHOUT THE PRIOR WRITTEN CONSENT OF ACCURATE INNOVATECH INC.

UNITS	mm	东莞市腾兴电子有限公司			
MAT'L	SEE NOTE				
FINISH	SEE NOTE	TITLE:	PART NO.:		
Q'TY	SEE NOTE	PUSH SWITCH / VERTICAL	AP-2215L & AP-2215N		
		DR: <i>Ricky</i> 2014/05/06	DWG NO.:		
		CHKD: <i>Ricky</i> 2014/05/06	ADJ-2215		
		APPD:	SCALE	SHEET	REV.
			4:1	1/1	A
					CUSTOMER DRAWING