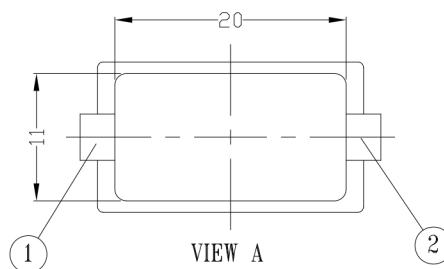
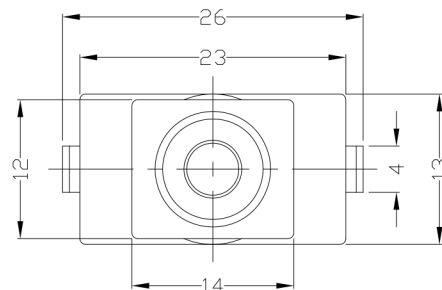




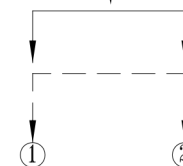
RoHS Compliant
2002/95/EC

REV.	ECN.	NO.	APPD.

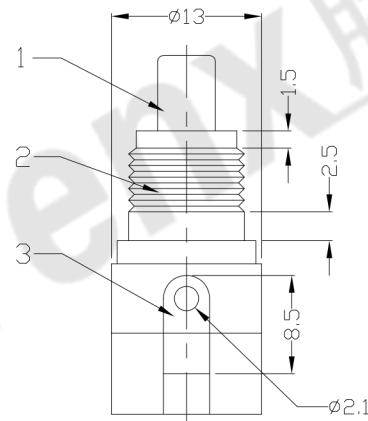
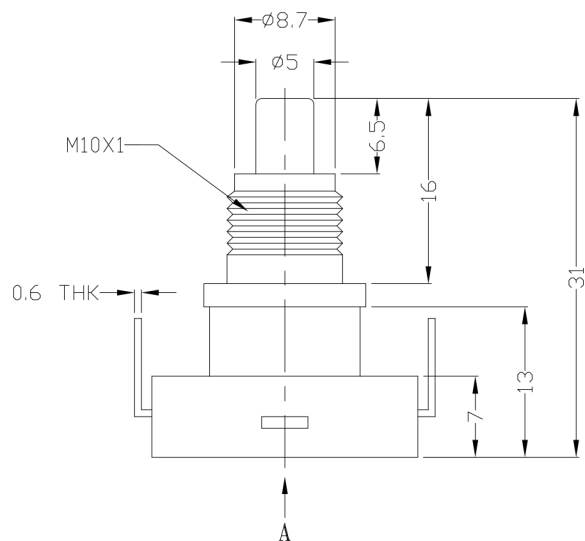
DIMENSIONS



PUSH



CIRCUIT DIAGRAM



ELECTRO-MECHANICAL CHARACTERISTICS

Refer to additional specifications

RATING	DC30V 1A
CIRCUIT	1P1T
CONTACT RESISTANCE	100m Ω MAX.
TIMING	
OPERATING MODE	SELF-LOCK
OPERATING FORCE	800 \pm 200gf
OPERATING LIFE(cycles)	10,000

NO.	PARTS	MATERIAL	Q'TY	FINISHING
9	SPRING C	SUS WIRE	1	NATURAL
8	SPRING B	SUS WIRE	1	NATURAL
7	SPRING A	SUS WIRE	1	NATURAL
6	CONTACT	BRASS STRIP	1	Ag PLATED OVER Ni PLATED
5	SLIDER	PDM	1	BLACK
4	BASE	PDM	1	BLACK
3	TERMINAL	BRASS STRIP	2	Ag PLATED OVER Ni PLATED
2	HOUSING	PDM	1	BLACK
1	KNOB	PDM	1	BLACK

WITHIN 1.5mm: ± 0.1 mm
OVER 1.5mm: ± 0.2 mm

UNITS mm

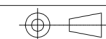
MAT'L

SEE NOTE

FINISH

SEE NOTE

Q'TY



THESE DRAWINGS AND SPECIFICATIONS ARE THE PROPERTY OF ACCURATE INNOTECH INC AND SHALL NOT BE REPRODUCED, COPIED OR USED IN ANY MANNER WITHOUT THE PRIOR WRITTEN CONSENT OF ACCURATE INNOTECH INC.

东莞市腾兴电子有限公司

TITLE:
PUSH SWITCH / VERTICAL

PART NO.:
AP-11G01L

DR: *Ricky* 2014/05/06

DWG NO.:
ADJ-11G01

CHKD: *Ricky* 2014/05/06

APPD:

SCALE	SHEET	REV.	CUSTOMER DRAWING
3:2	1/1	A	