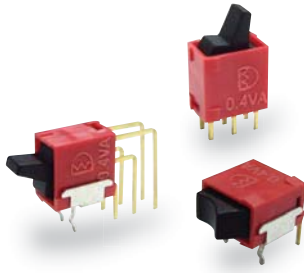


4U Series

Sub-Miniature Rocker Switches



SPECIFICATIONS

CONTACT RATING: 0.4 VA max. @ 20 V AC or DC max.

MECHANICAL LIFE: 40,000 make-and-break cycles.

CONTACT RESISTANCE: 100 mΩ typ. initial @ 2-4VDC,100mA.

INSULATION RESISTANCE: DC500V 500 MΩ.

DIELECTRIC STRENGTH: 500 Vrms min@sea level.

OPERATING TEMPERATURE: -30°C to 85°C.

MATERIALS

CASE & BUSHING : Glass filled nylon 6/6,flame retardant, heat stabilized (UL94V-0).

ACTUATOR: Nylon,black std.

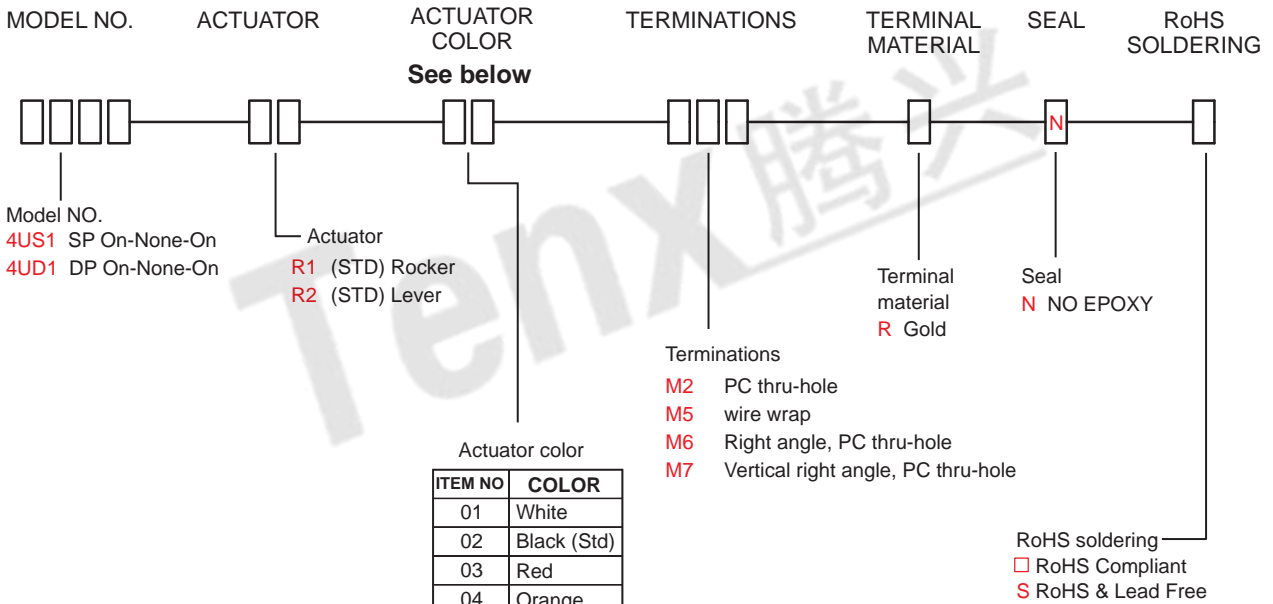
SWITCH SUPPORT: Brass or steel,tin plated.

CONTACTS/TERMINALS: Gold plated copper alloy.

4U
Rocker Switches



HOW TO ORDER



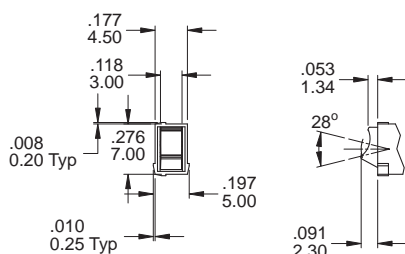
SWITCH FUNCTION

| NO. POLES | MODEL NO. | SWITCH FUNCTION | | | CONNECTED TERMINALS / SCHEMATIC | | |
|-----------|-----------|-----------------|-------|-------|---------------------------------|-------|-------------|
| | | POS.1 | POS.2 | POS.3 | POS.1 | POS.2 | POS.3 |
| | | | | | | | |
| SP | 4US1 | ON | NONE | ON | 5-6 | N/A | 5-4 |
| DP | 4UD1 | ON | NONE | ON | 5-6,2-3 | N/A | 5-4,2-1 |

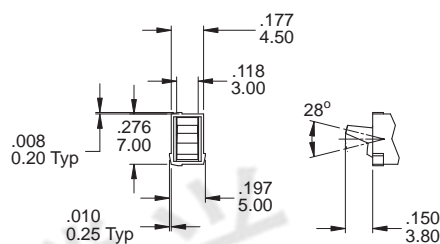
MOM=MOMENTARY

ACTUATOR OPTIONS / PANEL MOUNT

R1

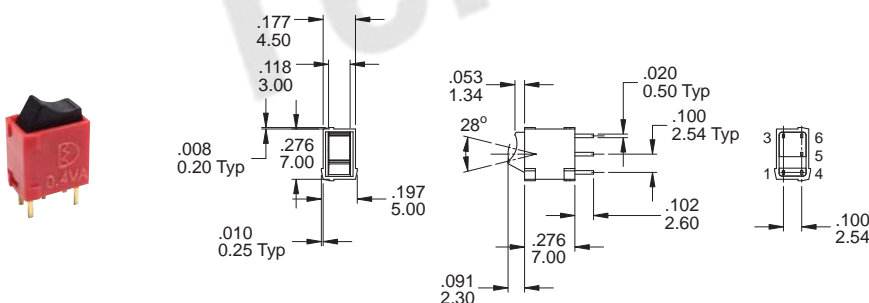


R2

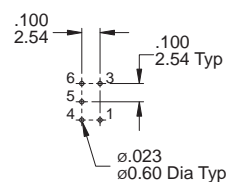


POLE OPTIONS

M2



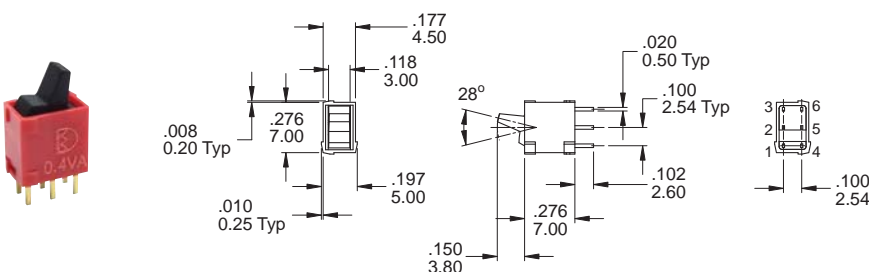
P.C. MOUNTING



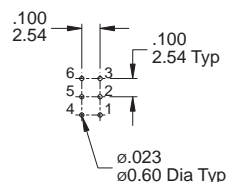
SPDT

Part No. Shown : 4US1R102M2RNS

M2



P.C. MOUNTING



DPDT

Part No. Shown : 4UD1R202M2RNS



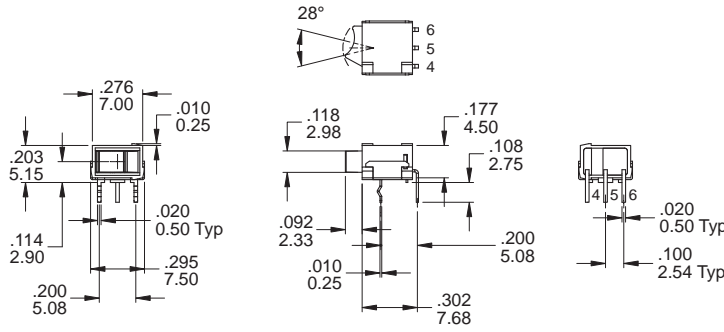
4U Series

Sub-Miniature Rocker Switches



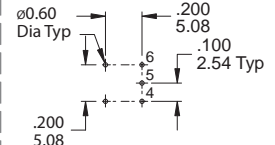
4U
Rocker Switches

M6



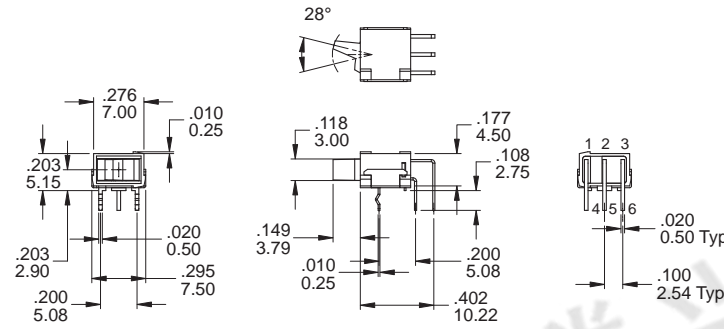
Part No. Shown : 4US1R102M6RNS

P.C. MOUNTING



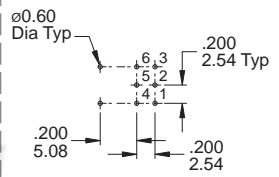
SPDT

M6



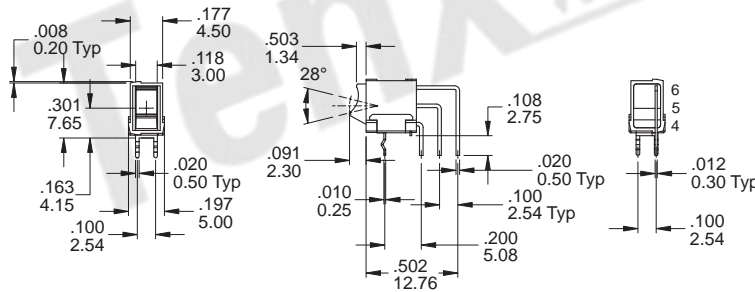
Part No. Shown : 4UD1R202M6RNS

P.C. MOUNTING



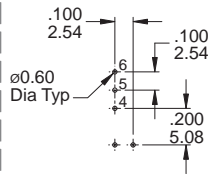
DPDT

M7



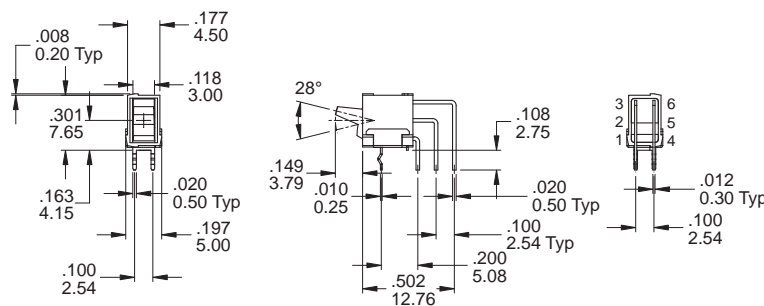
Part No. Shown : 4US1R102M7RNS

P.C. MOUNTING



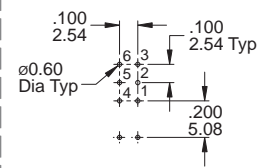
SPDT

M7



Part No. Shown : 4UD1R202M7RNS

P.C. MOUNTING



DPDT

SOLDERING PROCESSES

WAVE SOLDERING: Recommended Soldering Temperature: 270 ± 5°C

Duration of Solder Immersion: Max 5 sec. (PCB is 1.6mm in thickness)