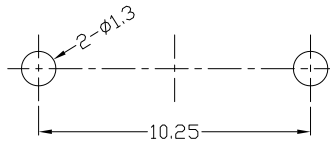
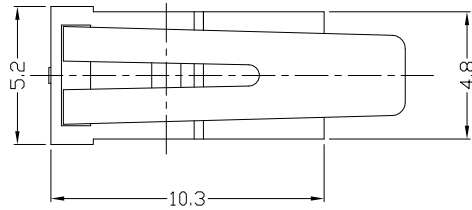




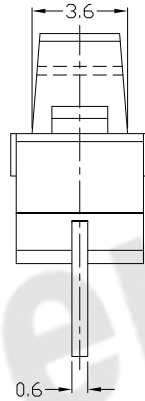
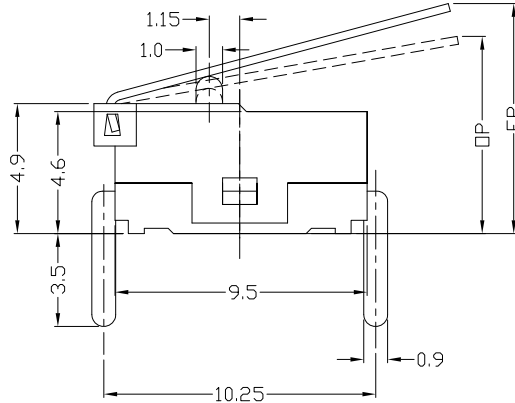
RoHS
Compliant
2002/95/EC

REV.	ECN.	NO.	APPD.

DIMENSIONS



P.C.B LAYOUT
TOP VIEW

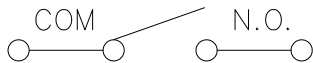


MODEL CODE

DS030-01X-30

1 2 3 4

- 1.Series : DS030
- 2.Actuator Button : 00=Non-lever 01-99=Lever
- 3.Termination : see chart (P/C/D)
- 4.Operating Force : see chart



CIRCUIT DIAGRAM

1.Functional spec

1.1 Rated Voltage	DC48V/AC125V
1.2 Rated Current	0.1A
1.3 Contact Resistance	≤300mΩ(Initial value)
1.4 Operating Force	30±15gf
1.5 Bounce Time	
1.6 Free Position	8.0±0.8mm
1.7 Operating Position	6.7±0.8mm
1.8 Position Travel	
1.9 Return Force	

2.Reliable Rating

2.1 Mechanical Life	1,000,000 CYCLES
2.2 Electrical Life	1,000,000 CYCLES
2.3 Insulation Resistance	≥100MΩ DC250V
2.4 Withstand Voltage	AC250V 1 minute
2.5 Soldering Technic	Hand Soldering
2.6 Operating Temper	-15°C ~ +55°C
2.7 Ambient Humidity Used	<85%RH

Tolerance:±0.2		UNITS	东莞市腾兴电子有限公司			
		mm				
		MAT'L	SEE NOTE		TITLE: Miniature MICRO SWITCH DS030 SERIES	
		FINISH	SEE NOTE		PART NO.: DS030-01P-30	
		Q'TY	DR: Ricky 2017/7/18		DWG NO.: ATD-01X-30	
			CHKD: Ricky 2017/7/18		SCALE: 1:1	
			APPD:		SHEET: 1/2	
					REV.: A	
					CUSTOMER DRAWING	

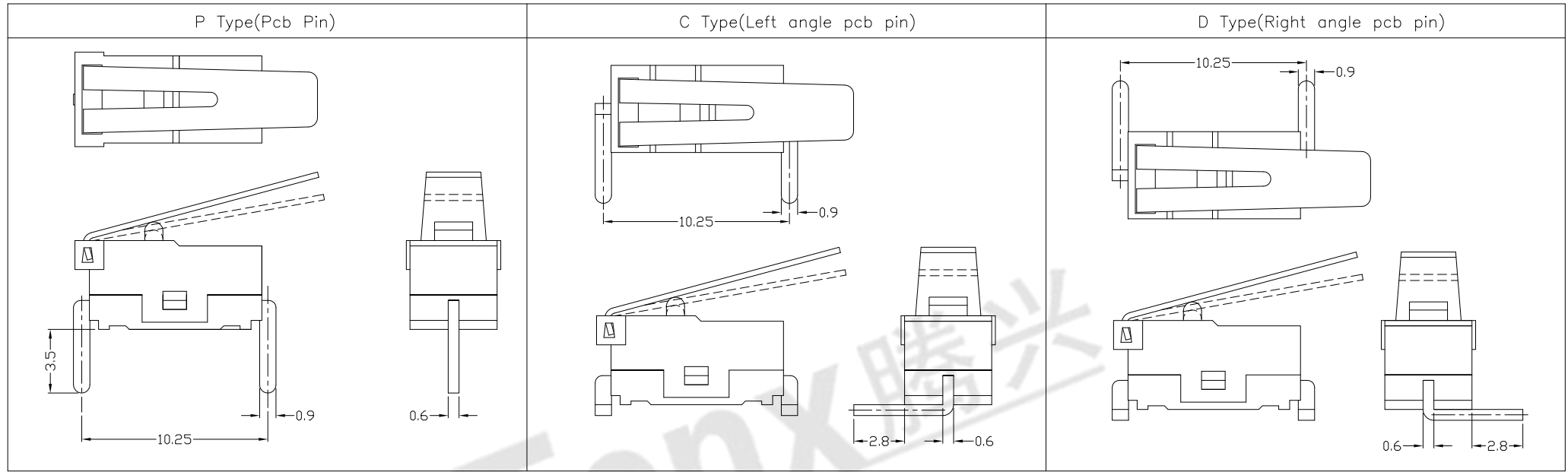
THESE DRAWINGS AND SPECIFICATIONS ARE THE PROPERTY OF ACCURATE INNOTECH INC AND SHALL NOT BE REPRODUCED, COPIED OR USED IN ANY MANNER WITHOUT THE PRIOR WRITTEN CONSENT OF ACCURATE INNOTECH INC.



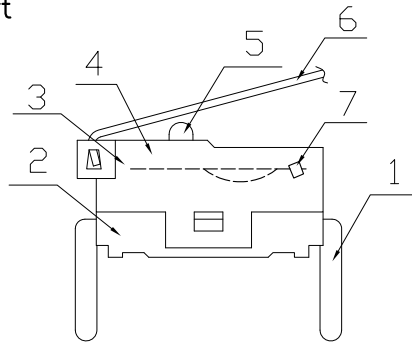
RoHS
Compliant
2002/95/EC

REV.	ECN.	NO.	APPD.

Terminal Type



Structure chart



Material list

NO.	PARTS	MATERIAL	Q'TY	FINISHING	Tolerance: ±0.2	UNITS mm	东莞市腾兴电子有限公司			
8							TITLE: Miniature MICRO SWITCH DS030 SERIES		PART NO.: DS030-01X-30	
7	Contact	Silver alloy	1				DR: Ricky 2017/7/18		DWG NO.: ATD-01X-30	
6	Lever	SUS301	1				CHKD: Ricky 2017/7/18		SCALE: 1:1	
5	Button	Nylon	1				APPD:		SHEET: 2/2	
4	Spring Plate	C1720	1						REV.: A	
3	Case	Nylon	1						CUSTOMER DRAWING	
2	Base	Nylon	1							
1	Terminal	C2680	2							

THESE DRAWINGS AND SPECIFICATIONS ARE THE PROPERTY OF ACCURATE INNOTECH INC AND SHALL NOT BE REPRODUCED, COPIED OR USED IN ANY MANNER WITHOUT THE PRIOR WRITTEN CONSENT OF ACCURATE INNOTECH INC.

