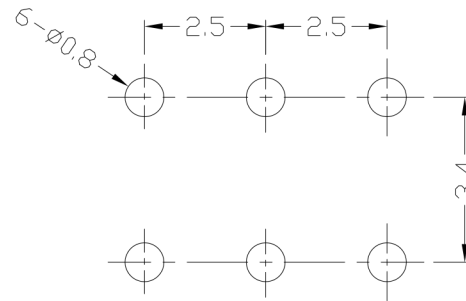
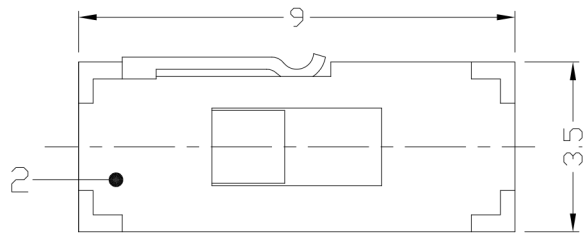




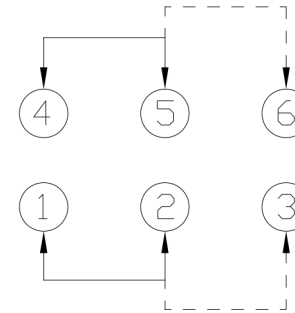
RoHS
Compliant
2002/95/EC

REV.	ECN. NO.	APPD.

DIMENSIONS



P.C.B LAYOUT
TOP VIEW

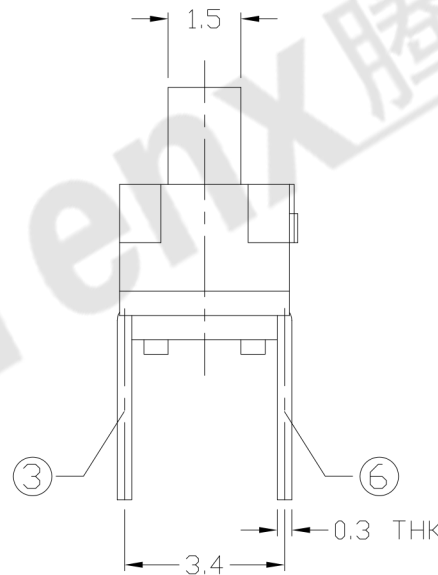
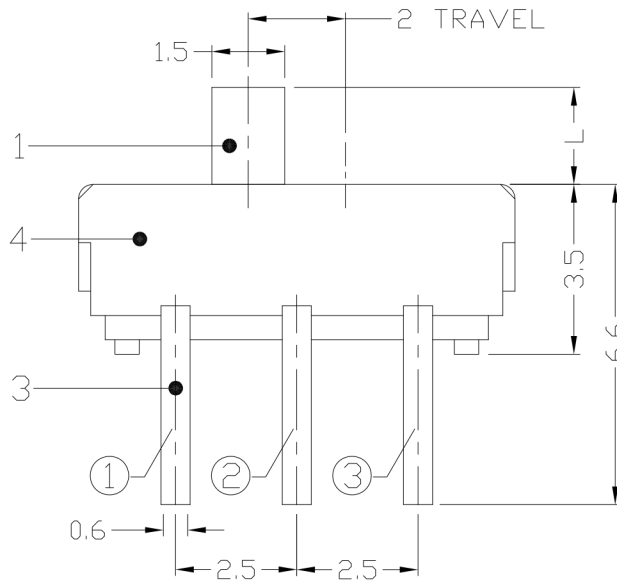


CIRCUIT DIAGRAM

MODEL CODE

AS-2235 - B

L (mm)	Knob Color
- 2.0	B Black
B 3.0	W White



ELECTRO-MECHANICAL CHARACTERISTICS

Refer to additional specifications

RATING	DC6V 0.3A
CIRCUIT	2P2T
TIMING	NON-SHORTING
CONTACT RESISTANCE	100mΩ MAX.
TRAVEL	2mm
OPERATING FORCE	250±150gf
OPERATING LIFE(cycles)	10,000

NO.	PARTS	MATERIAL	Q'TY	FINISHING
8				
7				
6				
5	CONTACT	PBS	2	Ag CLAD
4	CASE	NYLON+F.G/PA6T	1	BLACK
3	TERMINAL	BRASS STRIP	1	Ag PLATED
2	COVER	SUS	1	WASHING
1	KNOB	NYLON+F.G/PA46	1	WHITE/BLACK

WITHIN 1.5mm:±0.1mm	UNITS mm
OVER 1.5mm:±0.2mm	MAT'L
	SEE NOTE
	FINISH
	SEE NOTE
	Q'TY

THESE DRAWINGS AND SPECIFICATIONS ARE THE PROPERTY OF ACCURATE INNO TECH INC AND SHALL NOT BE REPRODUCED, COPIED OR USED IN ANY MANNER WITHOUT THE PRIOR WRITTEN CONSENT OF ACCURATE INNO TECH INC.

东莞市腾兴电子有限公司

TITLE:	MINI SLIDE SWITCH / VERTICAL	PART NO.:	AS-2235 SERIES
DR:	Ricky 2016/12/22	DWG NO.:	AZJ-2235
CHKD:	Ricky 2016/12/22	SCALE	SHEET
APPD:		6:1	1/1
		REV.:	A
		CUSTOMER DRAWING	