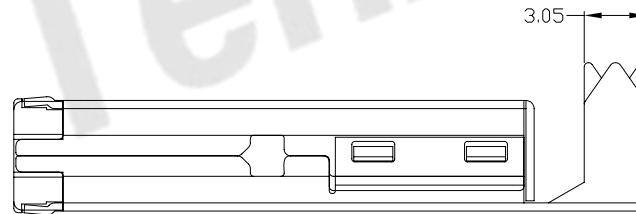
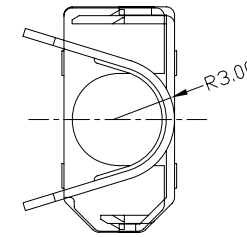
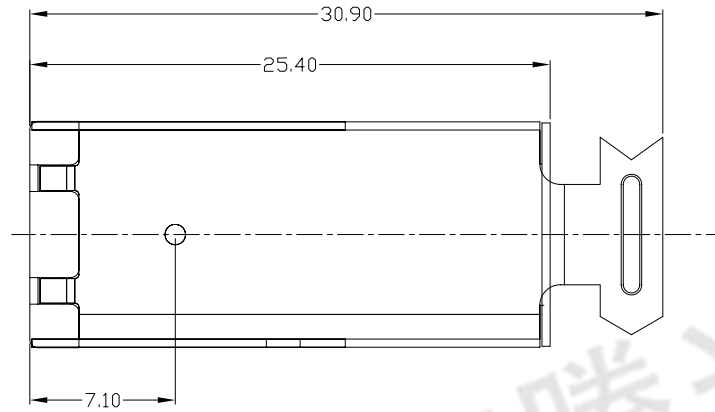
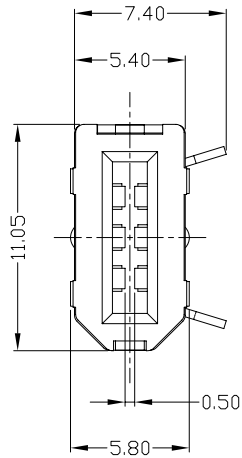




RoHS  
Compliant  
2002/95/EC

| REV | LTR | DESCRIPTION | DATE | REVISER | APPD |
|-----|-----|-------------|------|---------|------|
|     |     |             |      |         |      |



NOTES:

- ELECTRICAL:
  - VOLTAGE CURRENT RATING: 0.5AMP,30V AC;
  - INSULATION RESISTANCE: 100MΩ MIN;
  - CONTACT RESISTANCE: 50mΩ MAX;
  - WITHSTANDING VOLTAGE: 100V AC;
  - OPERATING TEMPERATURE:-25°C TO +85°C.
- Mechanical:
  - Mating Force: 30N MAX
  - Unmating Force: 7N MIN.
- DIMENSIONS MARKED "▼" TO BE CHECKED BY Q.C & IPQC.
- PART NO.

IENM-06\*N-1BS30

1: Au 1U\*  
6: Au 30U\*  
W: WHITE  
B: BLACK  
1: PBT  
2: PA6T  
3: PA9T  
4: LCP

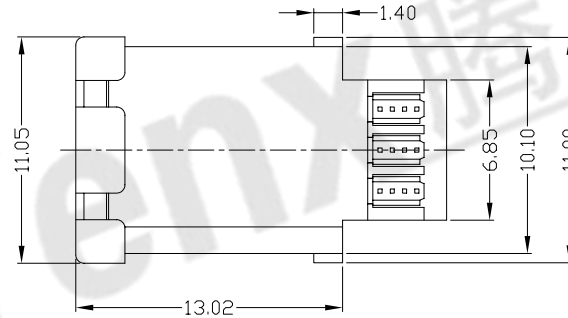
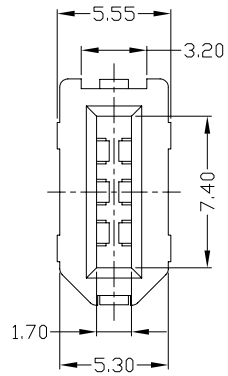
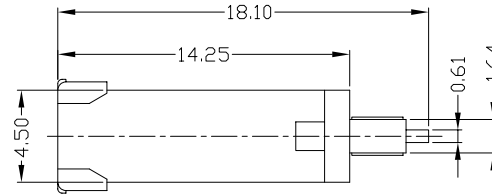
Bill of materials:

| NO | PARTS    | MATERIAL     | QTY | FINISHING       | UNITS   | mm      | 东莞市腾兴电子有限公司 |                      |                      |           |                 |      |                  |
|----|----------|--------------|-----|-----------------|---|---------|-------------|----------------------|----------------------|-----------|-----------------|------|------------------|
| 3  | HOUSING  | PBT+30%GF    | 1   | UL94V-0         | X. ±0.35  | X.* ±2' | MAT'L       | TITLE:               |                      | PART NO.: |                 |      |                  |
| 2  | SHELL    | SPCC         | 1   | PLATED NICKEL   | .X ±0.3   | .X* ±1' |             | SEE NOTE             | IEEE 1394 6P M 焊线三件套 |           | IENM-06*N-1BS30 |      |                  |
| 1  | TERMINAL | COPPER ALLOY | 6   | PLATED GOLD/TIN | .XX ±0.25   | .XX*    | FINISH      | DR: gan 2015/11/10   |                      | DWG NO.:  |                 |      |                  |
|    |          |              |     |                 | .XXX ±0.15  | .XXX*   | SEE NOTE    | CHKD: gan 2015/11/10 |                      | AII-S30   |                 |      |                  |
|    |          |              |     |                 | THESE DRAWINGS AND SPECIFICATIONS ARE THE PROPERTY OF ACCURATE INNDTECH INC AND SHALL NOT BE REPRODUCED, COPIED OR USED IN ANY MANNER WITHOUT THE PRIOR WRITTEN CONSENT OF ACCURATE INNDTECH INC. |         | Q'TY        | APPD:                |                      | SCALE     | SHEET           | REV. | CUSTOMER DRAWING |
|    |          |              |     |                 |   |         |             | 1:1                  | 1/1                  | B         |                 |      |                  |



RoHS  
Compliant  
2002/95/EC

| REV | LTR | DESCRIPTION | DATE | REVISER | APPD |
|-----|-----|-------------|------|---------|------|
|     |     |             |      |         |      |



NOTES:

- ELECTRICAL:
  - VOLTAGE CURRENT RATING: 0.5AMP,30V AC;
  - INSULATION RESISTANCE: 100MΩ MIN;
  - CONTACT RESISTANCE: 50mΩ MAX;
  - WITHSTANDING VOLTAGE: 100V AC;
  - OPERATING TEMPERATURE:-25°C TO +85°C.
- Mechanical:
  - Mating Force: 30N MAX
  - Unmating Force: 7N MIN.
- DIMENSIONS MARKED "▼" TO BE CHECKED BY Q.C & IPQC.
- PART NO.

IENM-06\*N-1BS30

1:Au 1U\*  
6:Au 30U\*

W:WHITE  
B:BLACK

1:PBT  
2:PA6T  
3:PA9T  
4:LCP

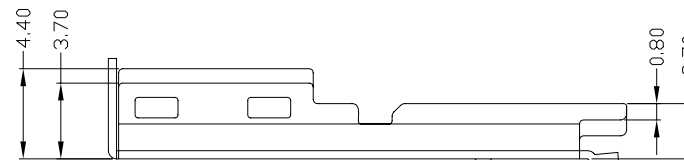
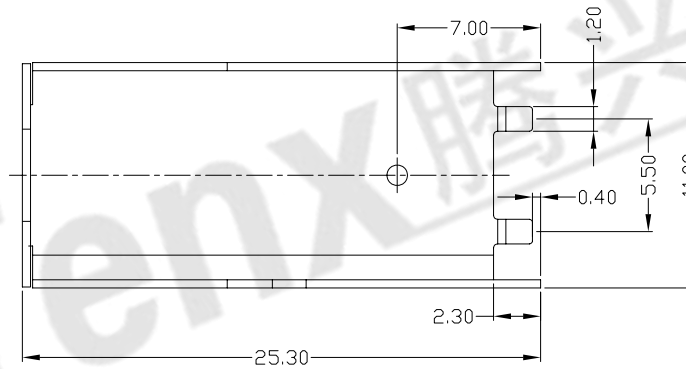
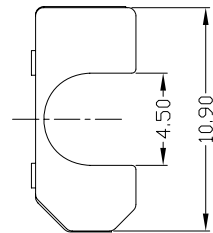
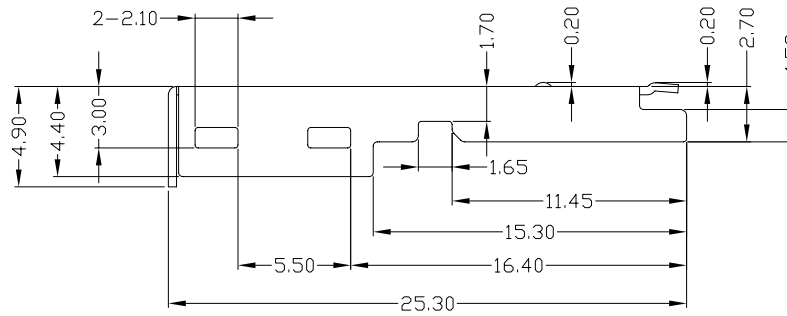
Bill of materials:

| NO | PARTS    | MATERIAL     | QTY | FINISHING       | UNITS   | mm      | 东莞市腾兴电子有限公司 |                        |     |                 |       |      |                  |
|----|----------|--------------|-----|-----------------|---|---------|-------------|------------------------|-----|-----------------|-------|------|------------------|
| 2  | HOUSING  | PBT+30%GF    | 1   | UL94V-0         | X. ±0.35  | X.* ±2* | MAT'L       | TITLE:                 |     | PART NO.:       |       |      |                  |
| 1  | TERMINAL | COPPER ALLOY | 6   | PLATED GOLD/TIN | .X ±0.3   | .X* ±1* | SEE NOTE    | IEEE 1394 6P M 焊线三件套主体 |     | IENM-06*N-1BS30 |       |      |                  |
|    |          |              |     |                 | .XX ±0.25   | .XX*    | FINISH      | DR: gan 2015/11/10     |     | DWG NO.:        |       |      |                  |
|    |          |              |     |                 | .XXX ±0.15  | .XXX*   | SEE NOTE    | CHKD: gan 2015/11/10   |     | AII-S30         |       |      |                  |
|    |          |              |     |                 | THESE DRAWINGS AND SPECIFICATIONS ARE THE PROPERTY OF ACCURATE INNOVATECH INC AND SHALL NOT BE REPRODUCED, COPIED OR USED IN ANY MANNER WITHOUT THE PRIOR WRITTEN CONSENT OF ACCURATE INNOVATECH INC. |         | Q'TY        | APPD:                  |     | SCALE           | SHEET | REV. | CUSTOMER DRAWING |
|    |          |              |     |                 |   |         |             | 1:1                    | 1/1 | B               |       |      |                  |



RoHS  
Compliant  
2002/95/EC

| REV | LTR | DESCRIPTION | DATE | REVISER | APPD |
|-----|-----|-------------|------|---------|------|
|     |     |             |      |         |      |



NOTES:

NICKET PLATED OVERALL 100u" MIN.

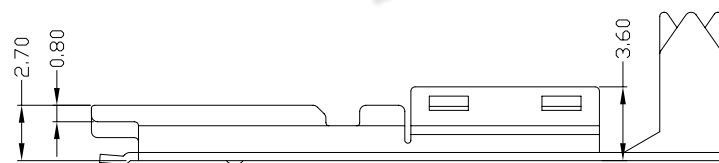
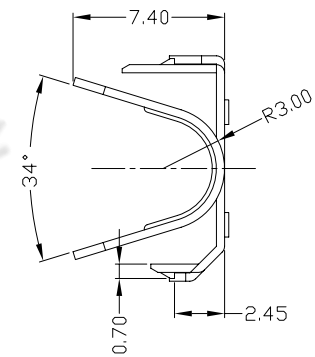
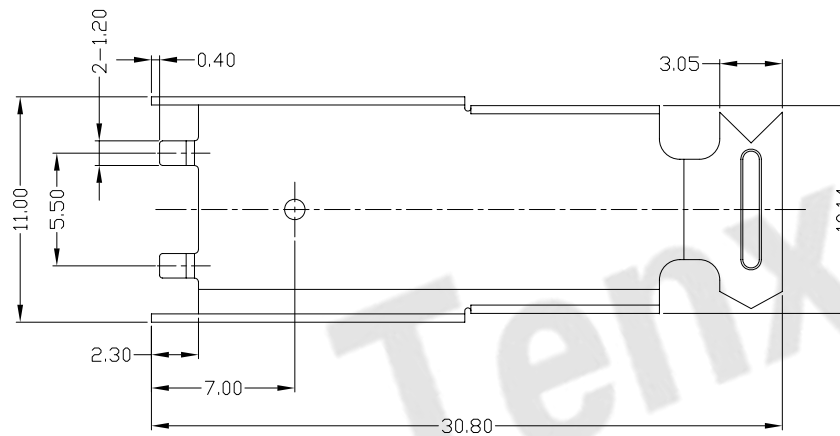
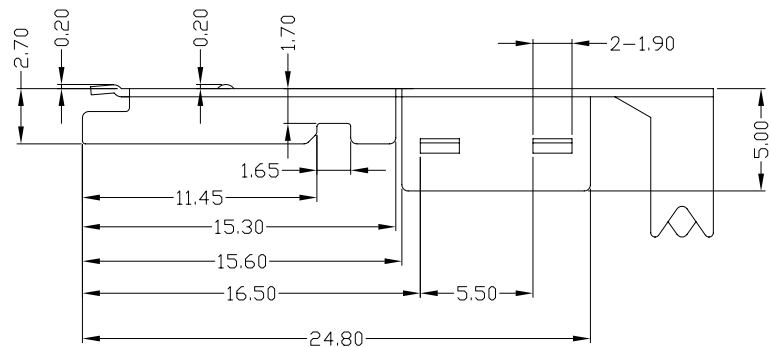
Bill of materials:

| NO | PARTS | MATERIAL | QTY | FINISHING     | TOLERANCES  |         | UNITS    | MAT'L    | 东莞市腾兴电子有限公司              |        |                                   |   |  |
|----|-------|----------|-----|---------------|---|---------|----------|----------|--------------------------|--------|-----------------------------------|---|--|
|    |       |          |     |               | X. ±0.35  | X.* ±2' |          |          | mm                       | TITLE: | PART NO.:                         |   |  |
| 1  | SHELL | SPCC     | 1   | PLATED NICKEL | .X ±0.3   | .X* ±1' | SEE NOTE | SEE NOTE | IEEE 1394 6P M 焊线三件套(上盖) |        | IENM-06*N-1BS30                   |   |  |
|    |       |          |     |               | .XX ±0.25   | .XX*    | SEE NOTE | SEE NOTE | DR: gan 2015/11/10       |        | DWG NO.: AII-S30                  |   |  |
|    |       |          |     |               | .XXX ±0.15  | .XXX*   | SEE NOTE | SEE NOTE | CHKD: gan 2015/11/10     |        | SCALE SHEET REV. CUSTOMER DRAWING |   |  |
|    |       |          |     |               | THESE DRAWINGS AND SPECIFICATIONS ARE THE PROPERTY OF ACCURATE INNDTECH INC AND SHALL NOT BE REPRODUCED, COPIED OR USED IN ANY MANNER WITHOUT THE PRIOR WRITTEN CONSENT OF ACCURATE INNDTECH INC. |         |          | Q'TY     | APPD:                    | 1:1    | 1/1                               | B |  |



RoHS  
Compliant  
2002/95/EC

| REV | LTR | DESCRIPTION | DATE | REVISER | APPD |
|-----|-----|-------------|------|---------|------|
|     |     |             |      |         |      |



NOTES:

NICKET PLATED OVERALL 100u" MIN.

Bill of materials:

| NO | PARTS | MATERIAL | QTY | FINISHING     | TOLERANCES  |         | UNITS    | 东莞市腾兴电子有限公司              |        |                                   |           |   |  |
|----|-------|----------|-----|---------------|---|---------|----------|--------------------------|--------|-----------------------------------|-----------|---|--|
|    |       |          |     |               | X. ±0.35  | X.* ±2' |          | mm                       | TITLE: |                                   | PART NO.: |   |  |
| 1  | SHELL | SPCC     | 1   | PLATED NICKEL | .X ±0.3   | .X* ±1' | MAT'L    | IEEE 1394 6P M 焊线三件套(下盖) |        | IENM-06*N-1BS30                   |           |   |  |
|    |       |          |     |               | .XX ±0.25   | .XX*    | SEE NOTE | DR: gan 2015/11/10       |        | DWG NO.: AII-S30                  |           |   |  |
|    |       |          |     |               | .XXX ±0.15  | .XXX*   | FINISH   | CHKD: gan 2015/11/10     |        | SCALE SHEET REV. CUSTOMER DRAWING |           |   |  |
|    |       |          |     |               | THESE DRAWINGS AND SPECIFICATIONS ARE THE PROPERTY OF ACCURATE INNDTECH INC AND SHALL NOT BE REPRODUCED, COPIED OR USED IN ANY MANNER WITHOUT THE PRIOR WRITTEN CONSENT OF ACCURATE INNDTECH INC. |         | SEE NOTE | APPD:                    |        | 1:1                               | 1/1       | B |  |

