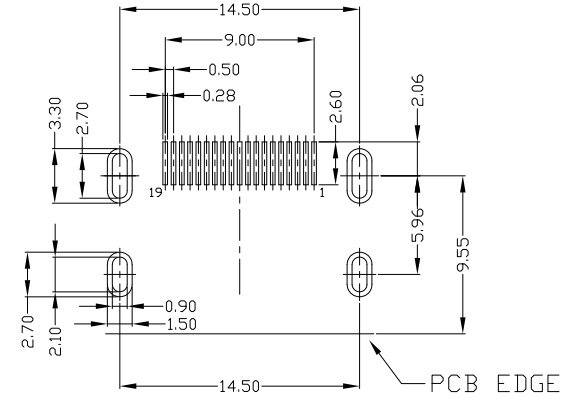
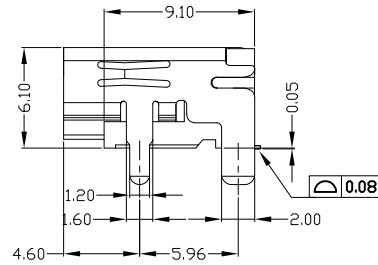
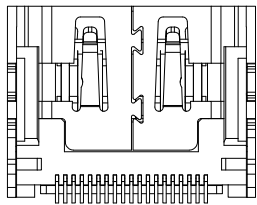
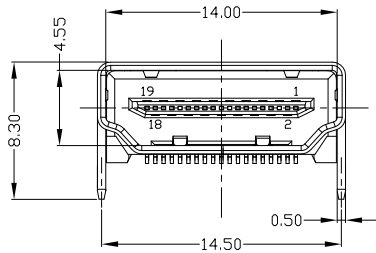
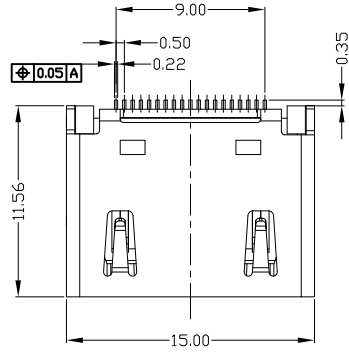




RoHS  
Compliant  
2002/95/EC

REV.	ECN. NO.	APPD.



RECOMMENDED PCB LAYOUT (T=1.60mm)

NOTES:

- ELECTRICAL:
  - VOLTAGE CURRENT RATING: 0.5AMP,30V AC;
  - INSULATION RESISTANCE: 100MΩ MIN;
  - CONTACT RESISTANCE: 30mΩ MAX;
  - WITHSTANDING VOLTAGE: 500V AC;
  - OPERATING TEMPERATURE:-55°C TO +105°C.
- Mechanical:
  - Mating Force: 35N MAX
  - Unmating Force: 10N MIN.
- DIMENSIONS MARKED "▼" TO BE CHECKED BY Q.C & IPQC.
- PART NO.

HMAF-191N-4BHS40

N: Ni  
G: Au  
1: Au 1U"  
5: Au 15U"

Bill of materials:

E	3	HOUSING	LCP+30%GF	1	UL94V-0	X. ±0.35	X.' ±2'	UNITS	mm	<b>东莞市腾兴电子有限公司</b>	
	2	SHELL	COPPER ALLOY	1	PLATED NICKEL	.XX ±0.25	.XX'	MAT'L			SEE NOTE
1	TERMINAL	COPPER ALLOY	19	PLATED GOLD/TIN	.XXX ±0.15	.XXX'	FINISH	SEE NOTE	TITLE: HDMI AF 19PIN SMT 铜壳镀镍DIP 脚无凸点 L=9.10		PART NO.: HMAF-191N-4BHS40
NO	PARTS	MATERIAL	QTY	FINISHING	THESE DRAWINGS AND SPECIFICATIONS ARE THE PROPERTY OF ACCURATE INNOTECH INC AND SHALL NOT BE REPRODUCED, COPIED OR USED IN ANY MANNER WITHOUT THE PRIOR WRITTEN CONSENT OF ACCURATE INNOTECH INC.			Q'TY	DR: gan 2017/07/2		DWG NO.: AII-HS40
								APPD: gan 2017/07/2	SCALE		SHEET
								1:1	1/1	B	