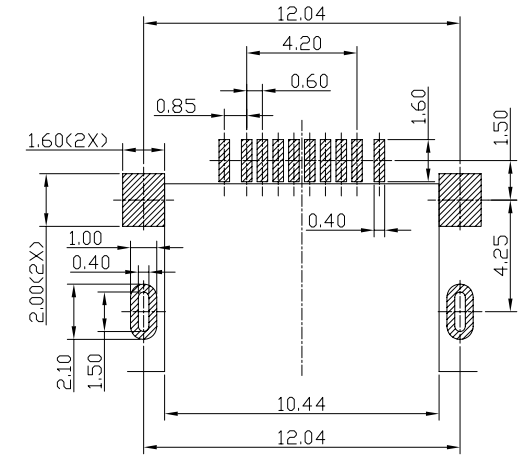
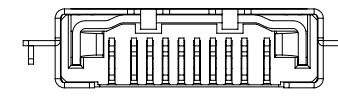
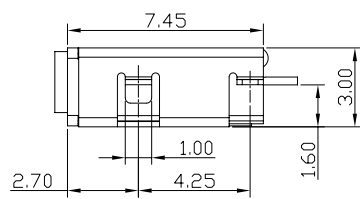
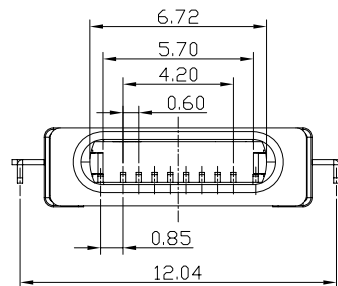
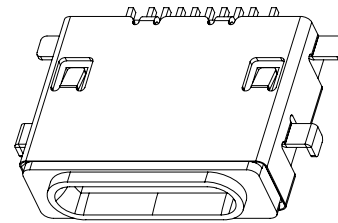
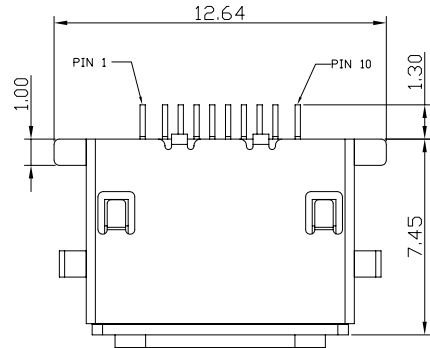


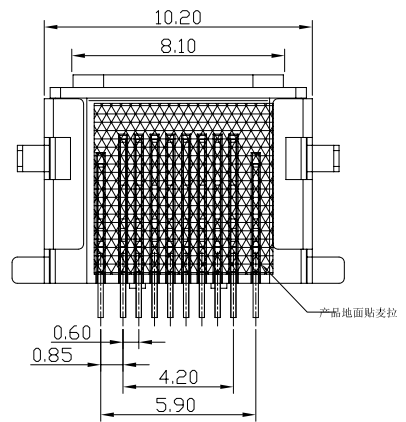


RoHS
Compliant
2002/95/EC

REV	LTR	DESCRIPTION	DATE	REVISER	APPD



RECOMMENDED PCB LAYOUT

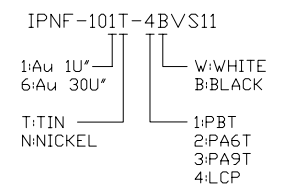


PIN NO.	SIGNAL
PIN 1#	DETECT1
PIN 2#	SCC1
PIN 3#	DP1
PIN 4#	DN1
PIN 5#	PWR A
PIN 6#	PWR B
PIN 7#	DN2
PIN 8#	DP2
PIN 9#	ACC2
PIN 10#	DETECT2
SHELL	GND

NOTES:

- ELECTRICAL:
 - CURRENT RATING: 1.0AMP;
 - INSULATION RESISTANCE: 100MΩ MIN;
 - CONTACT RESISTANCE: 50mΩ MAX;
 - WITHSTANDING VOLTAGE: 100V AC;
 - OPERATING TEMPERATURE: -30°C TO +80°C.
- Mechanical:
 - Mating Force: 35N MAX
 - Unmating Force: 3N MIN.
- NOTE: 1. DIMENSIONS MARKED "▼" TO BE CHECKED BY Q.C & IPQC.

4.PART NO.



Bill of materials:

NO	PARTS	MATERIAL	QTY	FINISHING
3	HOUSING	LCP UL94-V0	1	UL94V-0
2	SHELL	STAINLESS STEEL	1	PLATED TIN
1	TERMINAL	COPPER ALLOY	10	PLATED GOLD/TIN

	X. ±0.35	X.' ±2'	UNITS	mm
	.X ±0.3	.X' ±1'	MAT'L	SEE NOTE
	.XX ±0.25	.XX'	FINISH	SEE NOTE
	.XXX ±0.15	.XXX'	Q'TY	SEE NOTE

THESE DRAWINGS AND SPECIFICATIONS ARE THE PROPERTY OF ACCURATE INNOTECH INC AND SHALL NOT BE REPRODUCED, COPIED OR USED IN ANY MANNER WITHOUT THE PRIOR WRITTEN CONSENT OF ACCURATE INNOTECH INC.

雅安科技有限公司
ACCURATE INNOTECH INC.

TITLE: 苹果10PIN母座沉板1.6H	PART NO.: IPNF-101T-4BVS11
DR: gan 2014/06/21	DWG NO.: AII-S11
CHKD: gan 2014/06/21	SCALE: 1:1
APPD:	SHEET: 1/1
	REV: B
	CUSTOMER DRAWING